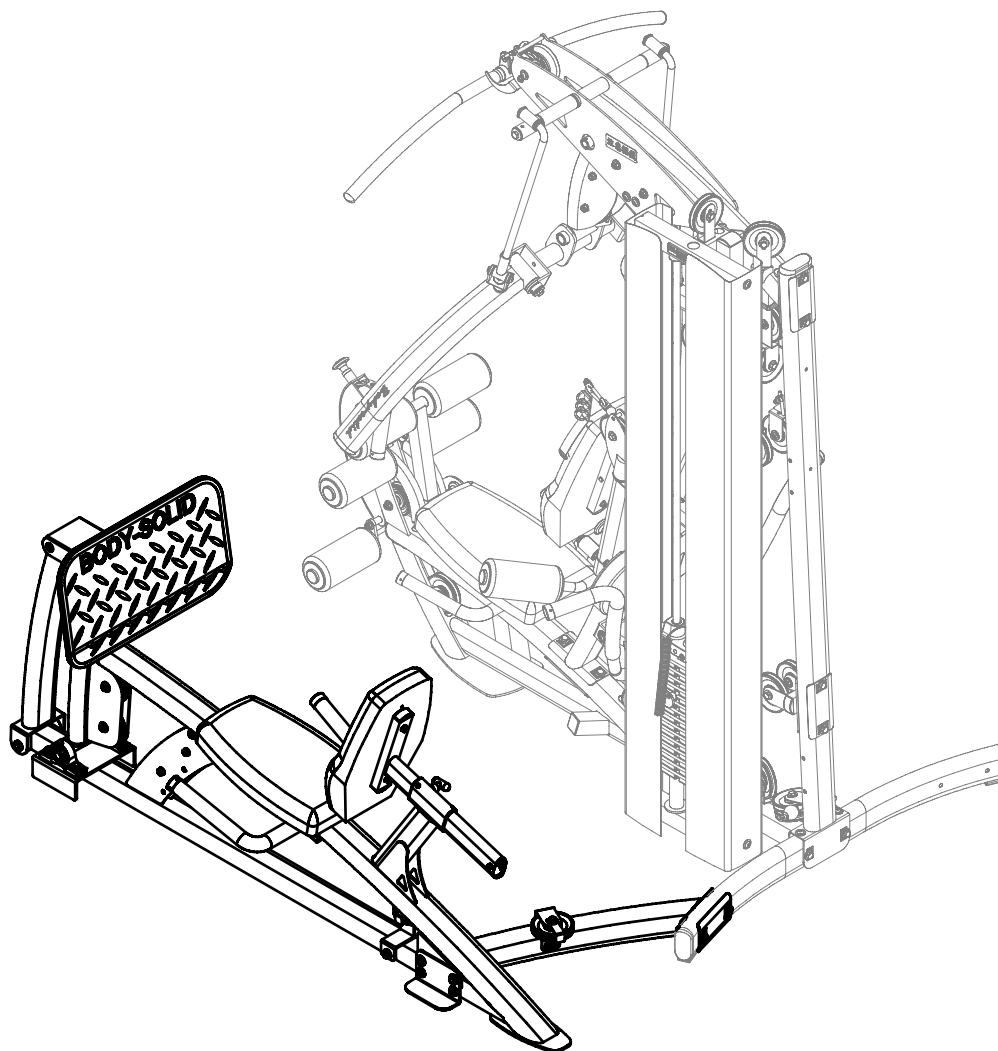


Body-Solid



BODY-SOLID, Inc
1900 S. Des Plaines Ave.
Forest Park, IL 60130 USA
Phone: (708) 427-3555
Fax: (708) 427-3556
www.bodysolid.com

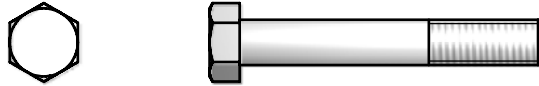
FLP OWNER'S MANUAL

FLP HARDWARE ILLUSTRATION SHEET

A1.M10X130L HEX HEAD BOLT-----[7PCS]



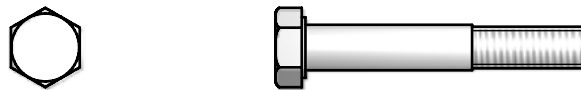
A2.M12X80L HEX HEAD BOLT-----[2PCS]



A4.M10X45L HEX HEAD BOLT-----[1PCS]



A5.M10X75L HEX HEAD BOLT-----[1PCS]



A6.M10X50L HEX HEAD BOLT-----[2PCS]



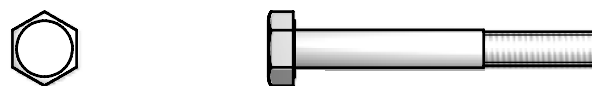
A7.M8X105L HEX HEAD BOLT-----[1PCS]



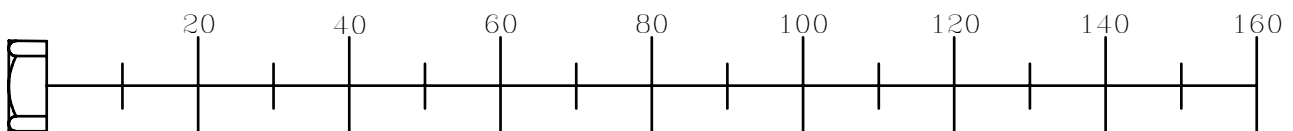
A8.M8X50L HEX HEAD BOLT-----[2PCS]



A9.M10X80L HEX HEAD BOLT-----[2PCS]



A10.M10X60L HEX HEAD BOLT-----[3PCS]

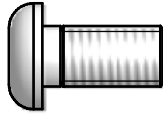
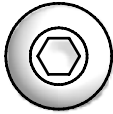


FLP HARDWARE ILLUSTRATION SHEET

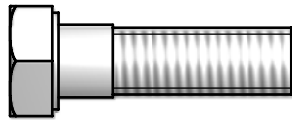
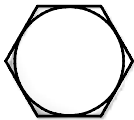
A11.M8X80L HEX HEAD BOLT-----[1PCS]



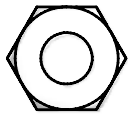
A12.M10X20L ALLEBN HEAD BOLT-----[1PCS]



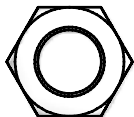
A13.M12X40L HEX HEAD BOLT-----[4PCS]



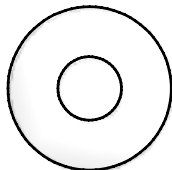
B1.M10 NYLON LOCK NUT-----[18PCS]



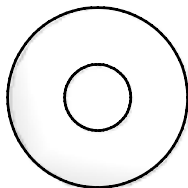
B2.M12 NYLON LOCK NUT-----[6PCS]



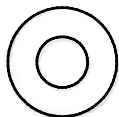
C1.M10 WASHER-----[29PCS]



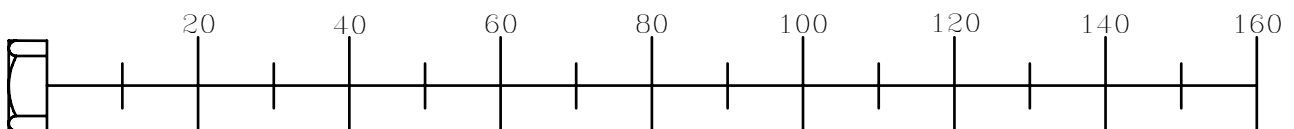
C2.M12 WASHER-----[8PCS]



C3.M8 WASHER-----[4PCS]



C4.M8 SPRING LOCK WASHER-----[4PCS]



FLP HARDWARE ILLUSTRATION SHEET

D1.Ø110 PULLEY (9213-002)-----[6PCS]



D2.CONVEX END CAP (9211-086)-----[2PCS]



D3.40X80 NYLON BUSHING (9211-123)-----[2PCS]



D4.CONVEX END CAP (9211-087)-----[2PCS]



D5.STEEL BUSHING(8530-014)-----[4PCS]



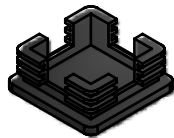
D6.3610mm STEEL CABLE-----[1PCS]



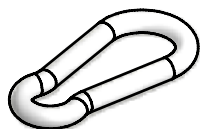
D7.CONVEX END CAP (9261-061)-----[1PCS]



D8.CONVEX END CAP (9211-128)-----[2PCS]



D9.SPRING SNAP LINK(8810-002)-----[1PCS]

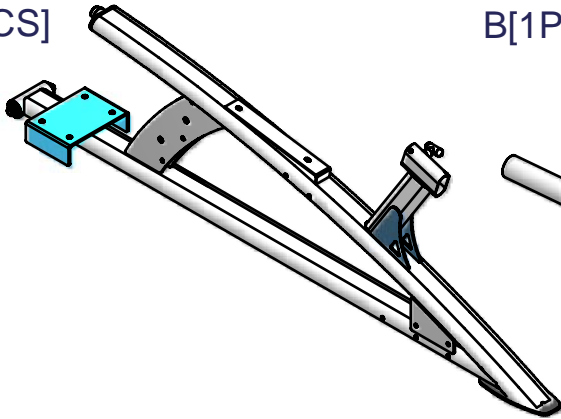


D10. PAD WRAPS (9630-134)-----[1PCS]

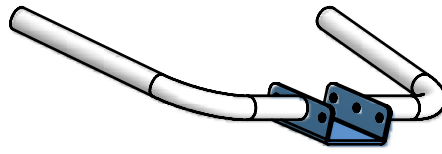


FLP PARTS ILLUSTRATION SHEET

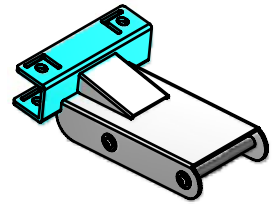
A[1PCS]



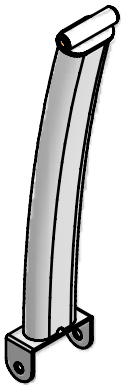
B[1PCS]



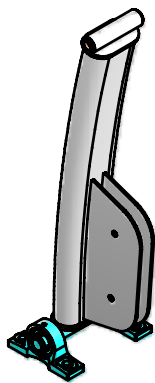
C[1PCS]



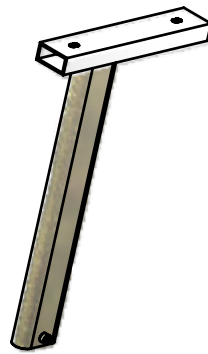
D[1PCS]



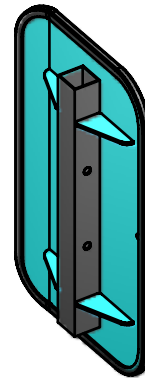
E[1PCS]



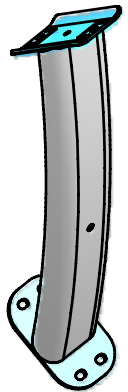
F[1PCS]



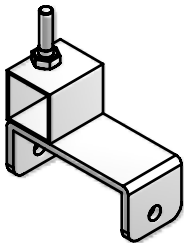
G[1PCS]



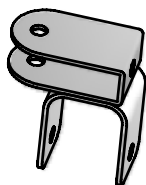
L[1PCS]



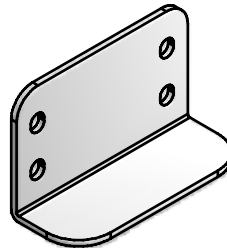
H[1PCS]



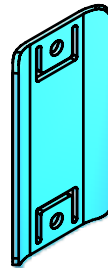
O[1PCS]



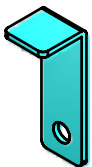
J[1PCS]



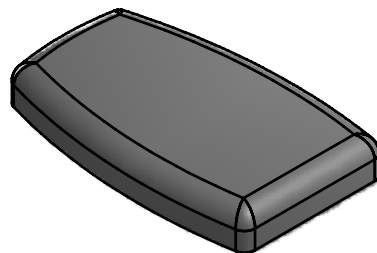
K[1PCS]



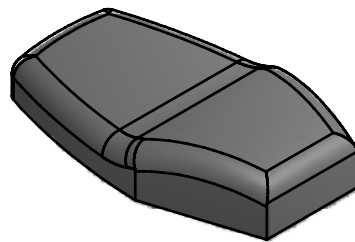
Q[2PCS]



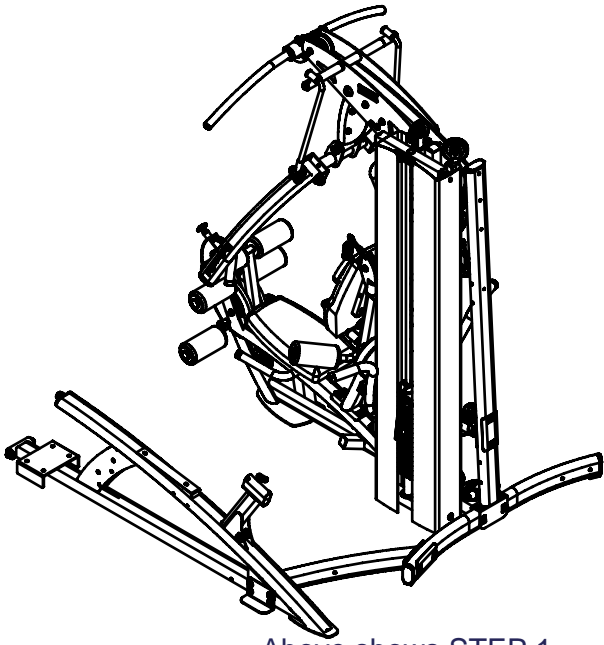
M[1PCS]



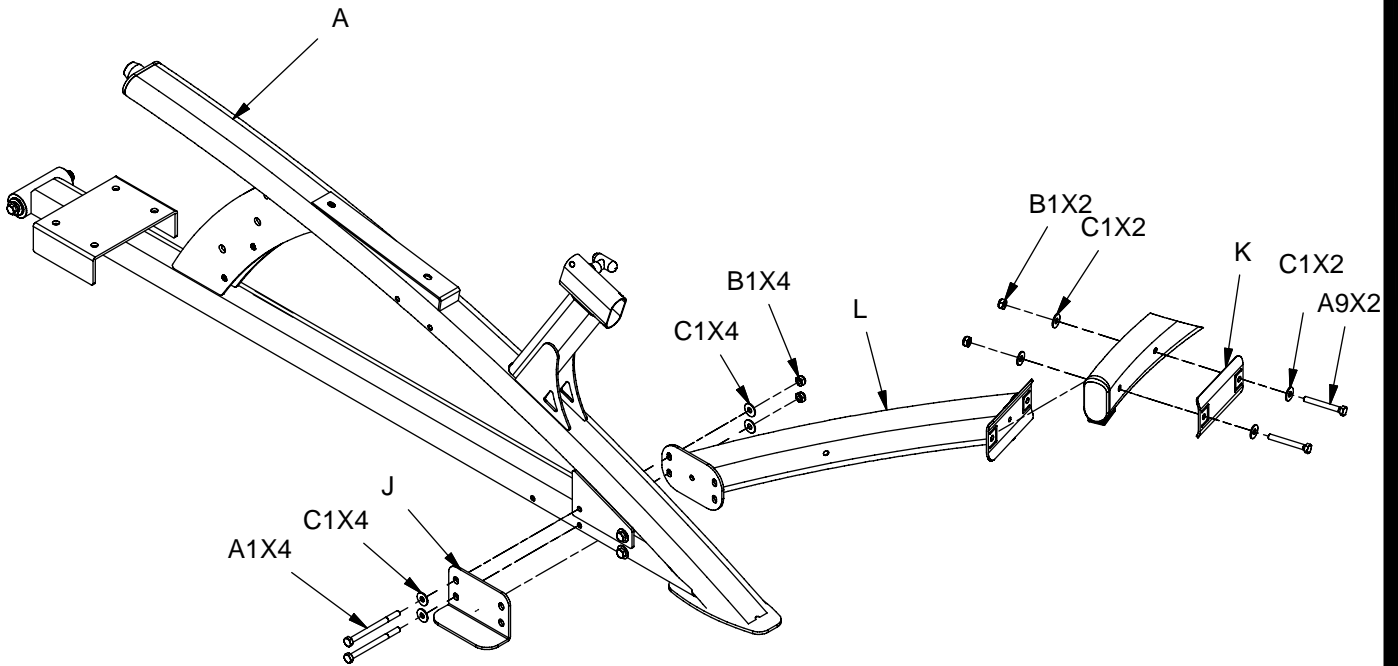
N[1PCS]



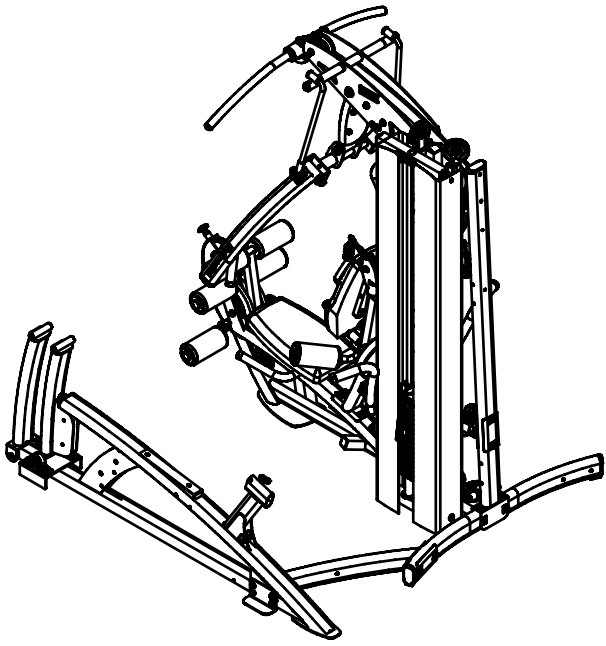
FLP ASSEMBLY INSTRUCTIONS



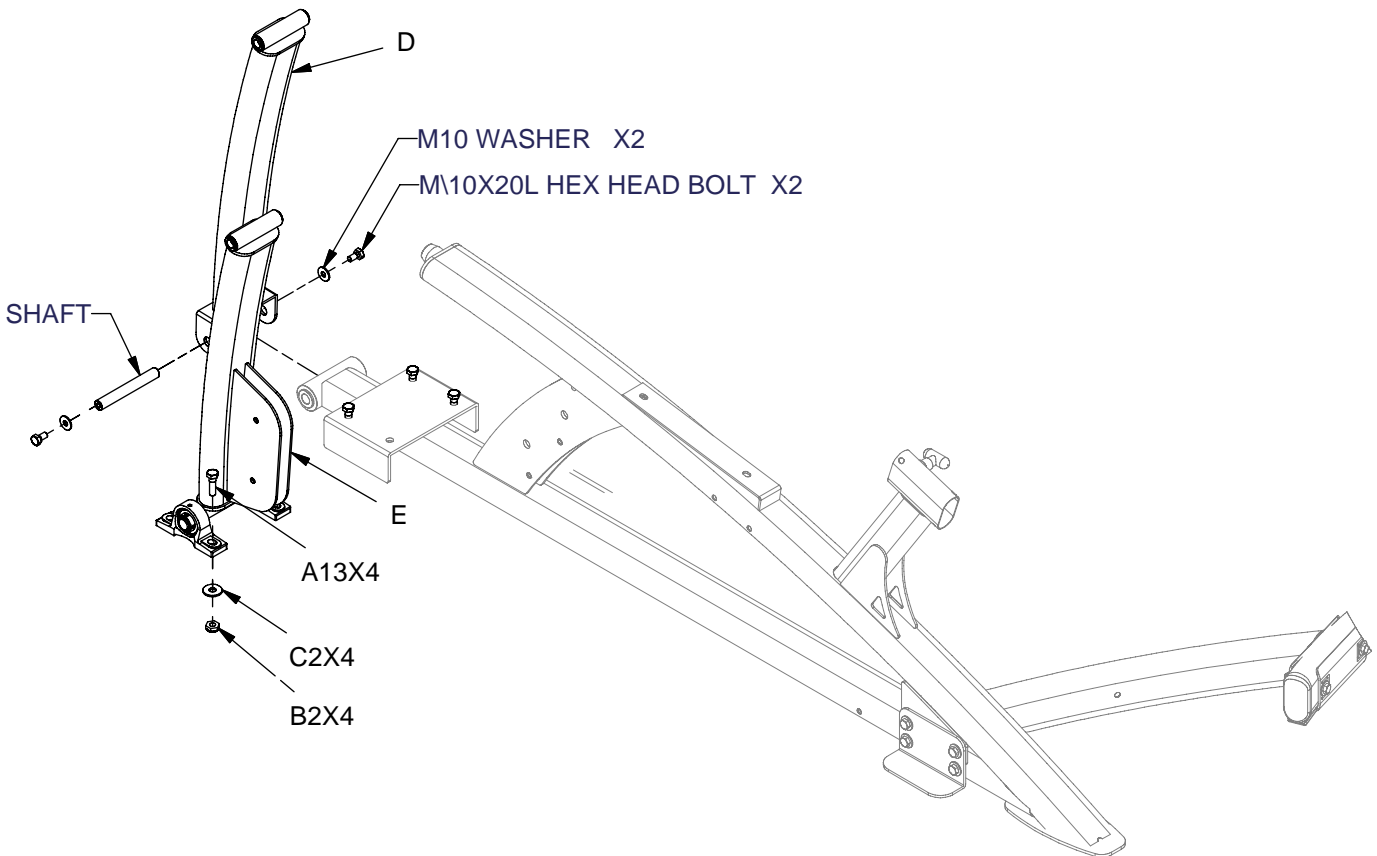
Above shows STEP 1
assembled and completed



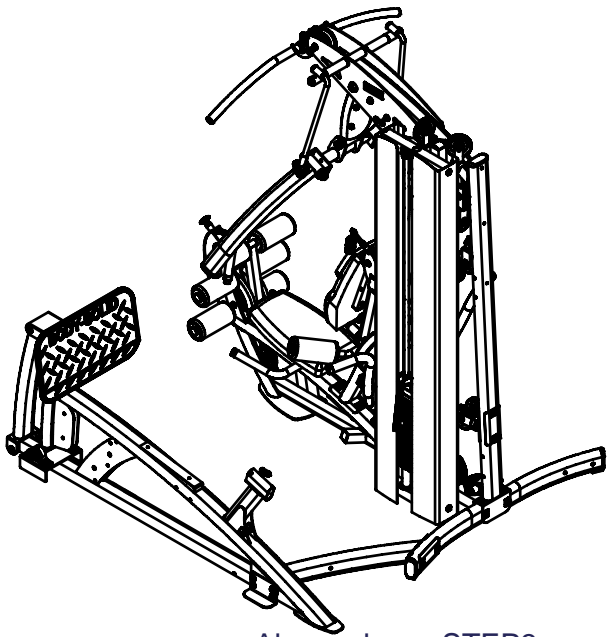
FLP ASSEMBLY INSTRUCTIONS



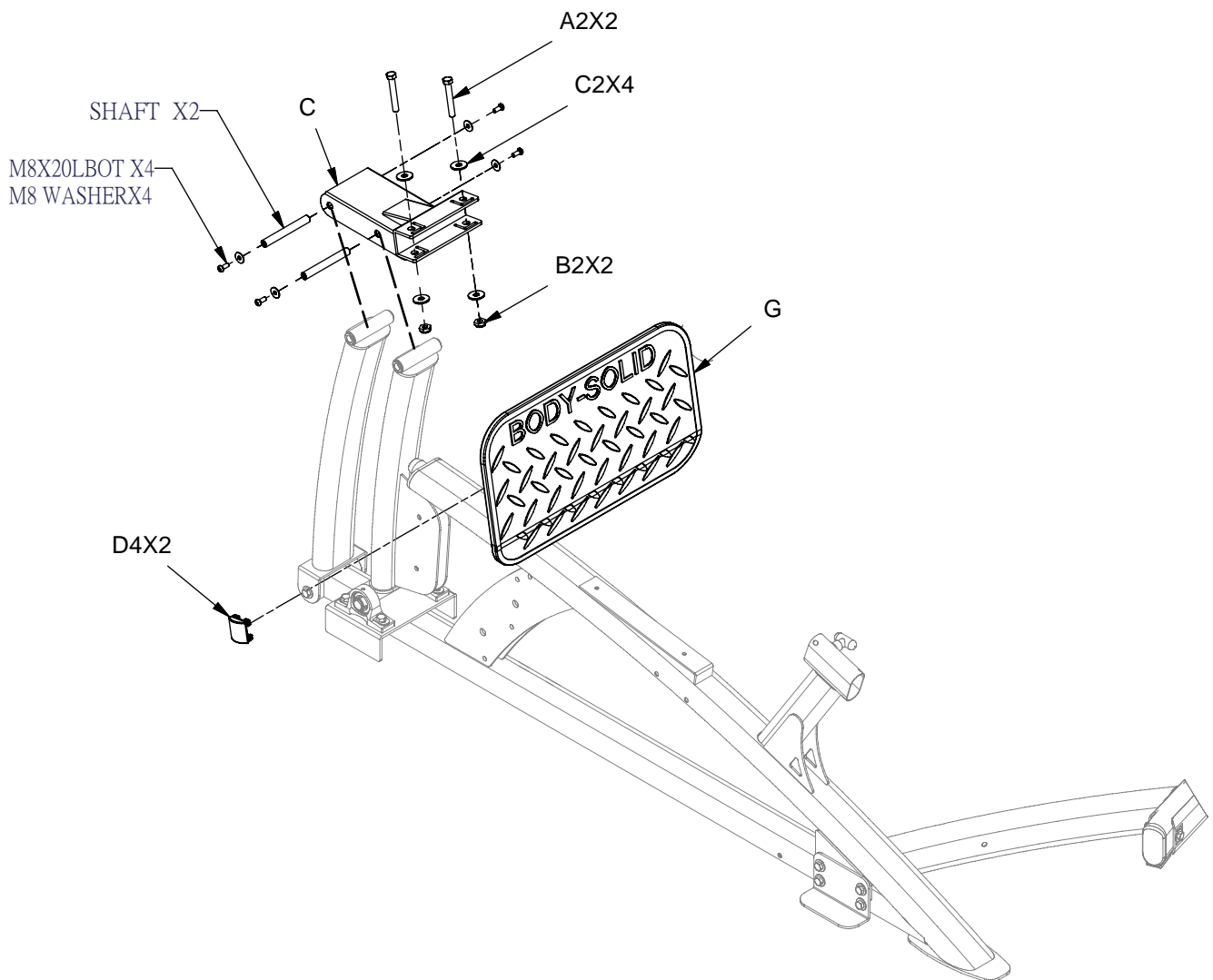
Above shows STEP2
assembled and completed



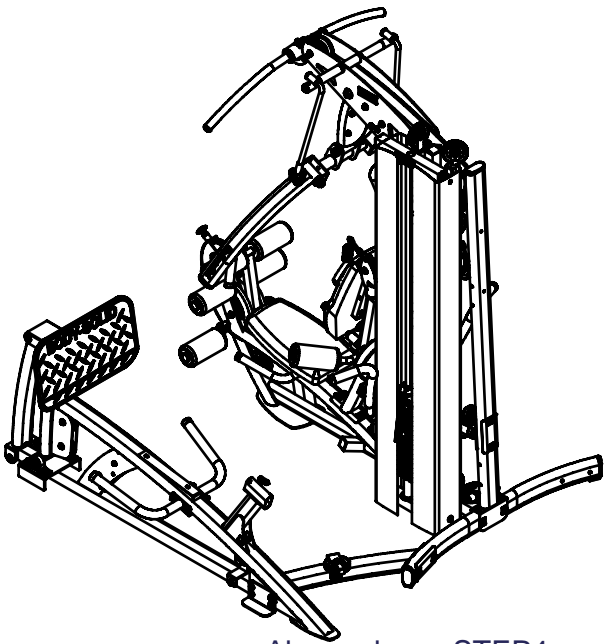
FLP ASSEMBLY INSTRUCTIONS



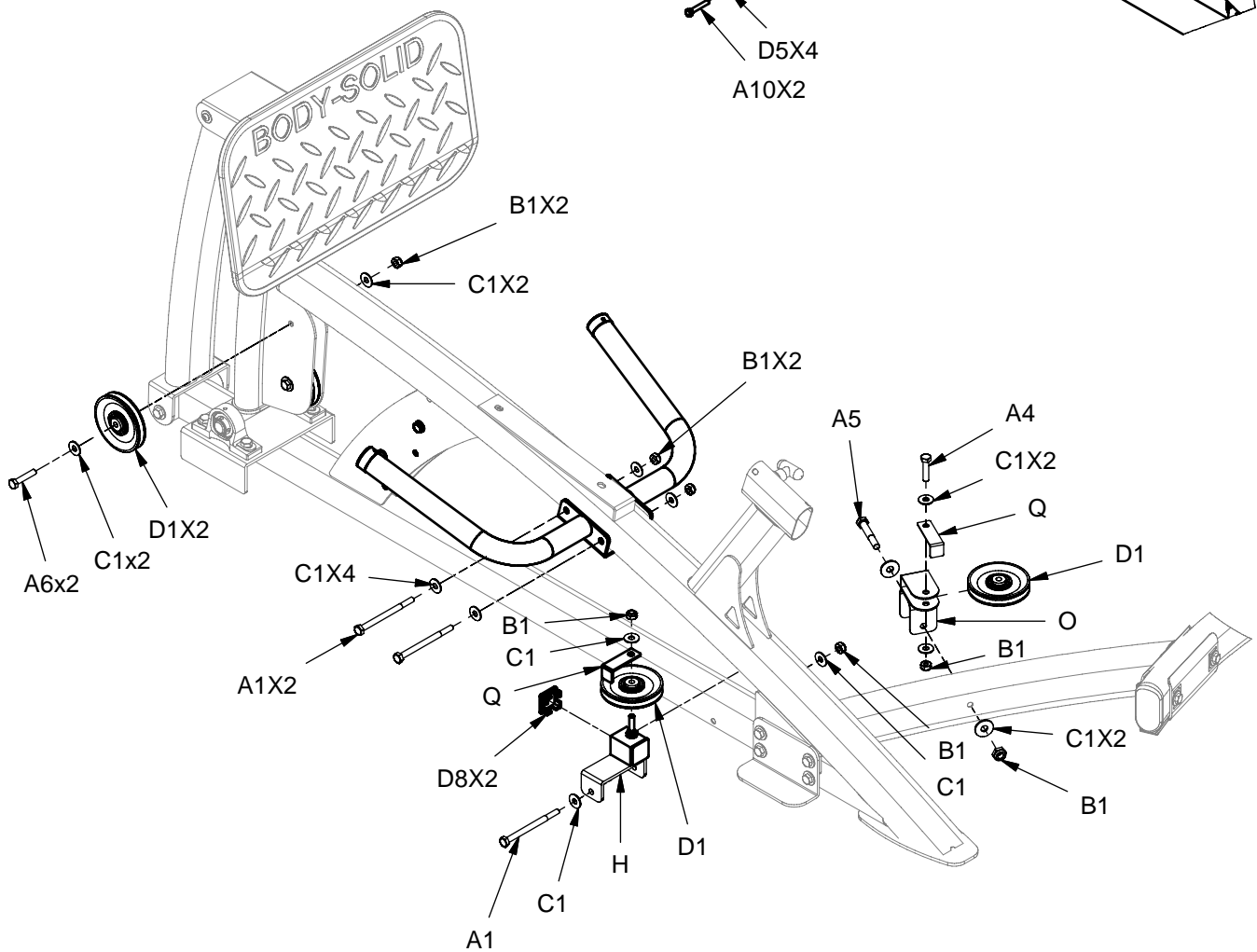
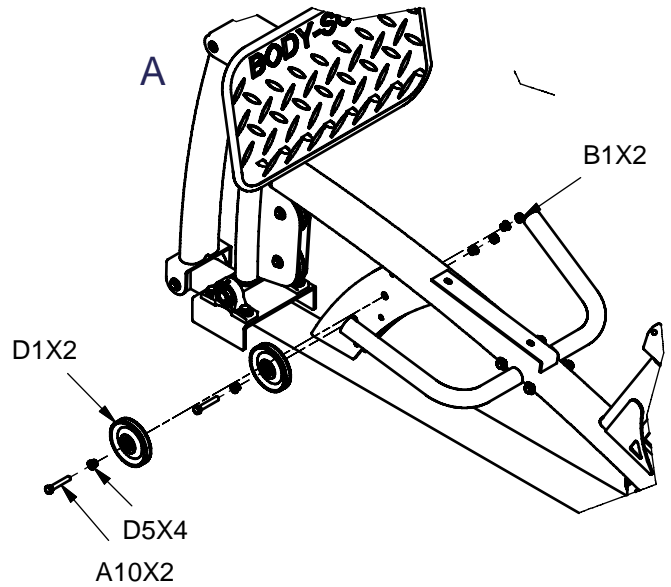
Above shows STEP3
assembled and completed



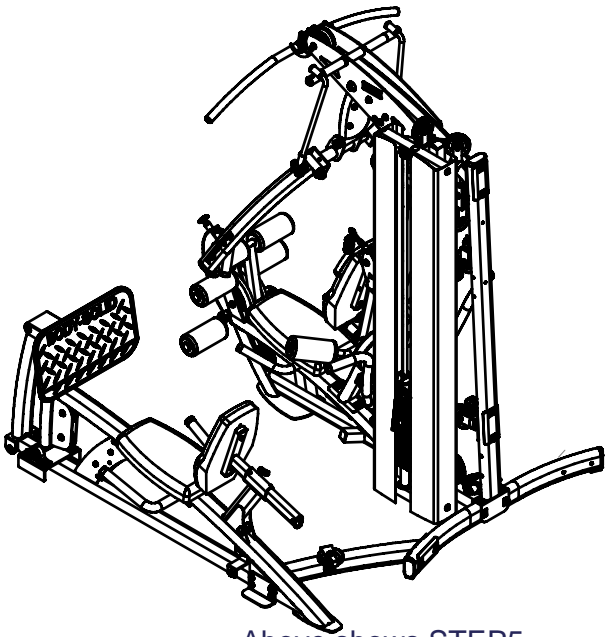
FLP ASSEMBLY INSTRUCTIONS



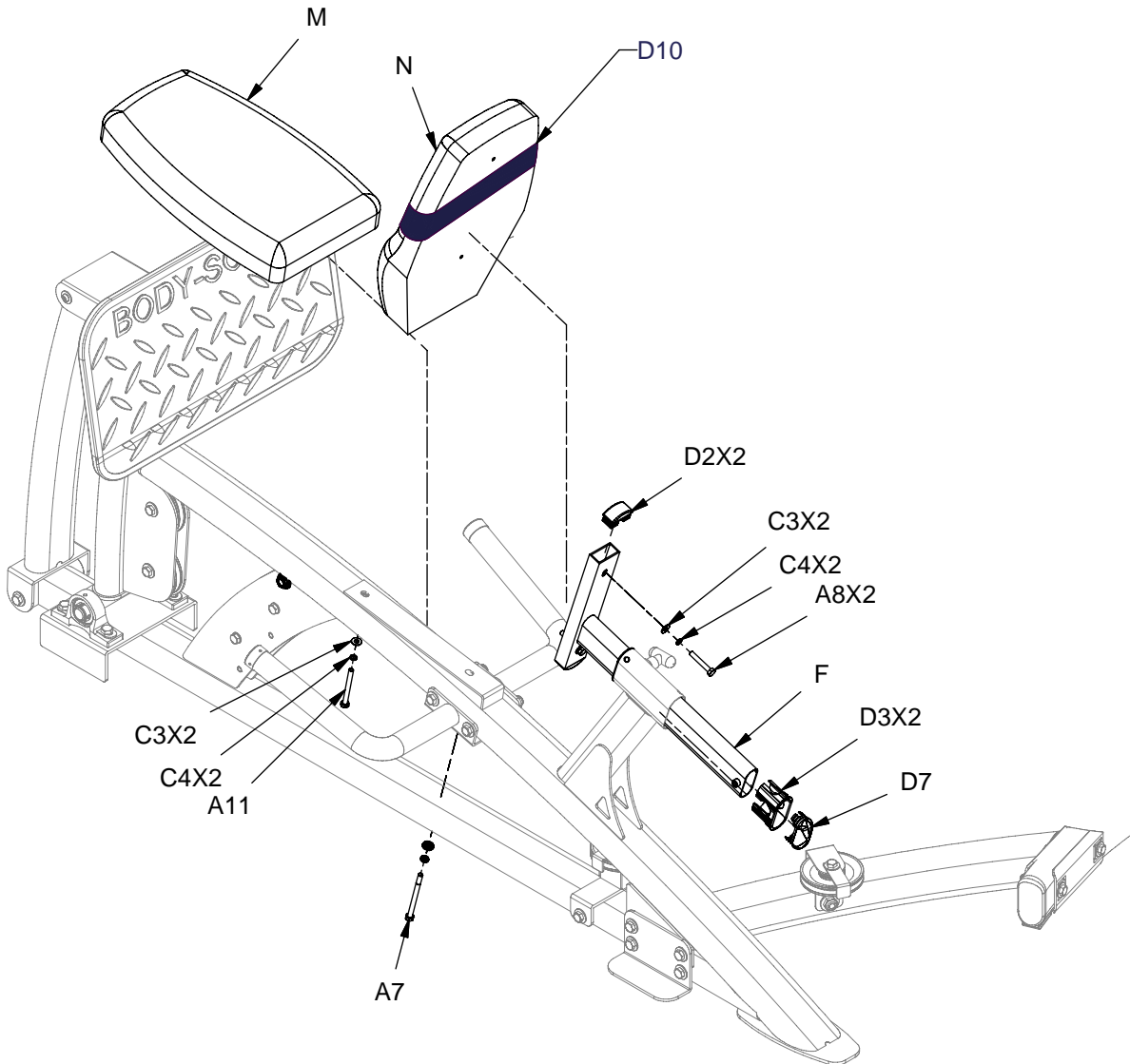
Above shows STEP4 assembled and completed



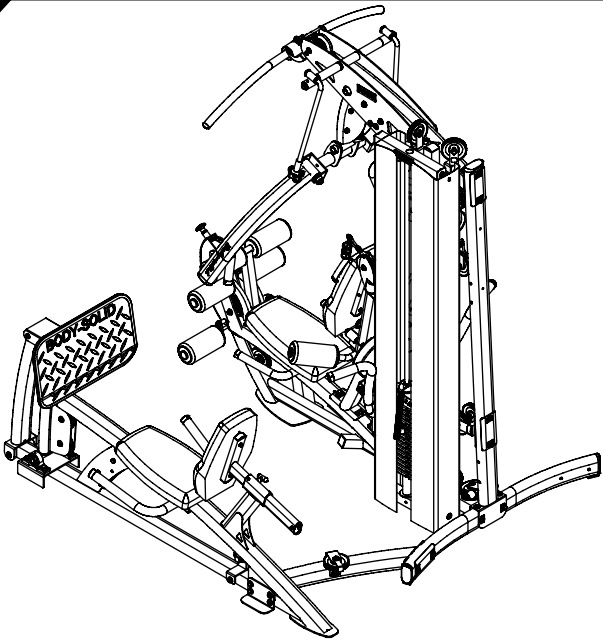
FLP ASSEMBLY INSTRUCTIONS



Above shows STEP5
assembled and completed



FLP ASSEMBLY INSTRUCTIONS



Above shows STEP6 assembled and completed

D6. 3610mm STEEL CABLE

